

HD SIRIUS SERIES

Designed to enhance surveillance capabilities into the dark and to deliver 24h amazing color images, Sirius HD cameras rely on both state-of-the-art Sony Starvis sensor and extremely advanced lenses.



DVL-391AS36

2MP SIRIUS HD ANALOG COLORFUL NIGHT FIXED LENS DOME/TURRET CAMERA

Excellent brightness and vivid chromatic images: these are the key-strengths of our SIRIUS CAMERAS. Designed to enhance surveillance capabilities into the dark and to deliver 24h amazing color images, Sirius HD cameras rely on both state-of-the-art Sony Starvis sensor and extremely advanced lenses. The application scenarios of Sirius full colours night cameras include public areas with no light, night security at industrial complexes, traffic intersections in low light environments, and all those areas featuring critical lighting condition.



MAIN FEATURES

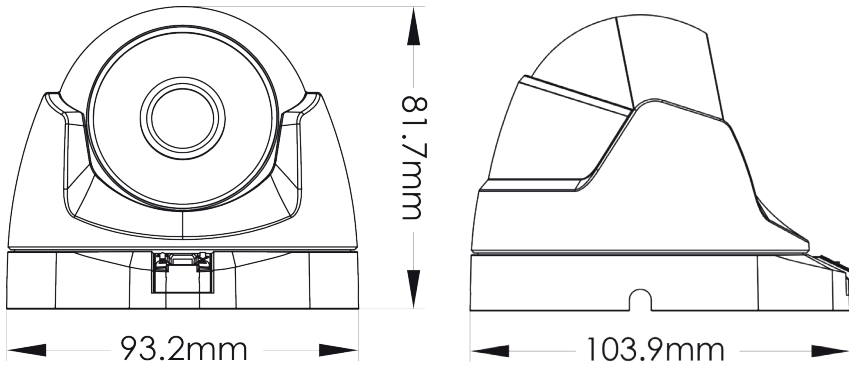
- 2MP
- Ultra-Low Illumination
- Sirius Series
- True WDR
- 1920x1080 Resolution
- 3.6mm F1.0 (87°)
- 3D-DNR
- 4 in 1 (DIP Switch AHD/TVI/CVI/CVBS + PAL/NTSC)
- IP66
- COC support



SPECIFICATIONS

Image Sensor	1/2.8" 2MP Sensor
Image Format	16:9
Effective Pixels	1945x1097
Scanning System	Progressive
Resolution	Digital:1920x1080, Analog:960H
FPS	25/30FPS
Min. Illumination	0.0001Lux
D&N	Full Time Color (Colored Night)
IR LED	2 White LED (Off/Adaptive/Full)
OSD Menu	Available via CoC Only
CoC Support	Yes
Day & Night Mode	EXT, Color, B&W, Auto
Backlight Compensation	Off/BLC/True WDR@30FPS (120dB)
S/N Ratio	≥60dB (AGC Off)
White Balance	Auto / Manual
Noise Reduction	3D-DNR For HD Analog, 2D-DNR For CVBS
Video Output	AHD / CVI / TVI / CVBS + PAL / NTSC (Signal Selectable via DIP Switch on cable)
Privacy Mask	On/Off (16 Areas)
D-Effect	Freeze, Mirror
WDR	True (120dB) + Digital
Lens (Field Of View)	3.6mm F1.0 (87°)
Power	DC12V±10%, ~420mA
Operation Temperature	-30°C ~ 50°C, 10% ~ 90% humidity
Protection Rate	IP66
Dimensions	104*82*93.2mm
Net Weight	270g
Junction Box	PR-B37JB

DIMENSIONS



DIP Switch for Output Selection

ACCESSORIES



PR-B37JB
SMALL junction box